

Heater™ PowerAlley

Model# PA99

Read This Before Operating

IMPORTANT

**DO NOT RETURN THE POWERALLEY MACHINE TO THE RETAIL STORE WHERE PURCHASED.
CALL TOLL FREE: (800) 492-9334.**

WARNING: ONLY USE POWERALLEY LITE-BALLS IN THE POWERALLEY MACHINE

The PowerAlley Lite-Ball Pitching Machine uses PowerAlley Soft **Lite-Balls** and PowerAlley Regular **Lite-Balls**. If you put real baseballs in the PowerAlley Lite-Ball Machine you will damage the machine and void the PowerAlley warranty. Heater Sports recommends using official PowerAlley **Lite-Balls** in your PowerAlley Lite-Ball Pitching Machine. These balls are 1/2 the weight of a real baseball, incredibly accurate, long lasting, and produce the best performance in the machine. Do Not Use PowerAlley Pro Baseballs in this machine!

CUSTOMER SERVICE

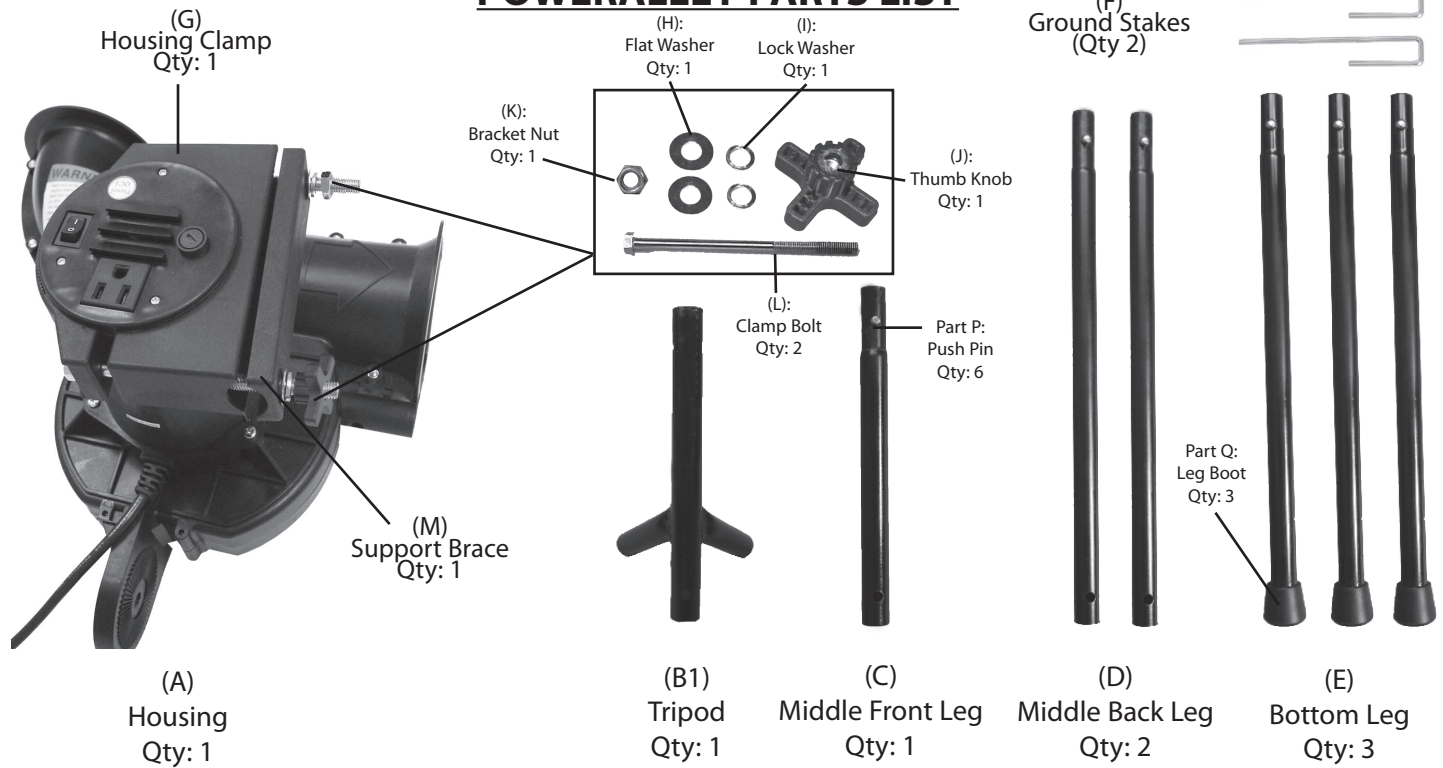
HEATER SPORTS is dedicated to your customer satisfaction. If you experience any trouble with the operation of the PowerAlley Pitching Machine contact us at: (800) 492-9334 or log on to our website at www.HeaterSports.com.

WARNING: THIS PRODUCT IS TO BE USED BY ADULTS ONLY. MAKE SURE MACHINE IS TURNED OFF BEFORE ASSEMBLY! KEEP HANDS AND ALL BODY PARTS AWAY FROM BALL ENTRY AND EXIT! SERIOUS HAND, EYE, AND BODILY INJURY MAY OCCUR IF USED INCORRECTLY!

- Please be sure to read all of the instructions before using the PowerAlley Lite-Ball Pitching Machine to insure the machine is working properly.
- Parents: Your child should be made aware of the potential dangers of using the PowerAlley Lite-Ball Pitching Machine.
- Never put your fingers into the PowerAlley Lite-Ball Pitching Machine.
- The PowerAlley is not a toy and an adult should supervise children. It is very important the batter makes sure the area is clear before swinging a bat.
- Stay clear of the ball opening while the PowerAlley is operating. Although the balls are very light, they may cause eye damage or other injury may occur. Children must be advised of this danger and appropriate precautions should be taken.
- **DO NOT** use any type of ball other than PowerAlley Lite-Balls in this machine.
- Always use a NOCSE approved batting helmet when batting.
- **DO NOT LOOK INTO THE FRONT OF THE MACHINE WHILE THE POWERALLEY IS RUNNING.** Occasionally a ball may get stuck in the machine. The ball may pause and then shoot out and cause eye injury. If the ball gets stuck, turn off the machine immediately. You should be able to remove the ball easily by tilting the PowerAlley backwards to eject the ball.
- Never operate in water or moisture.
- Always store in a dry area.

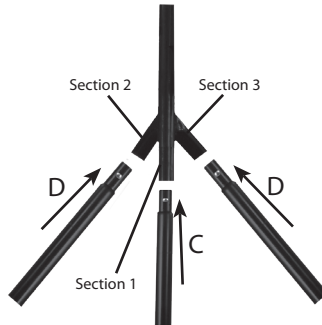
Heater™
SPORTS

POWERALLEY PARTS LIST

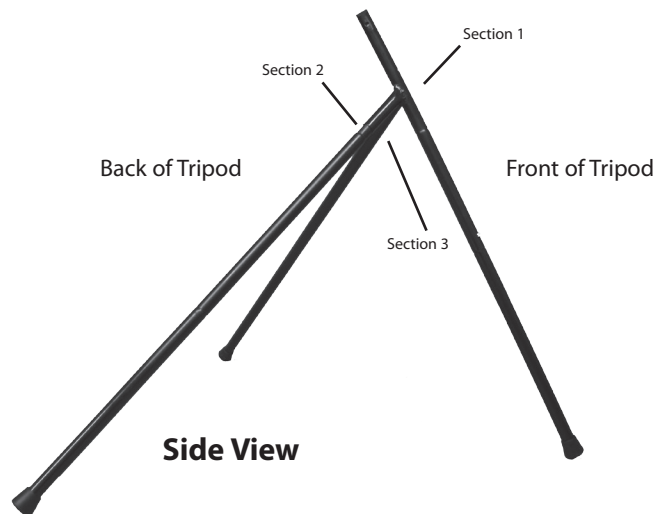
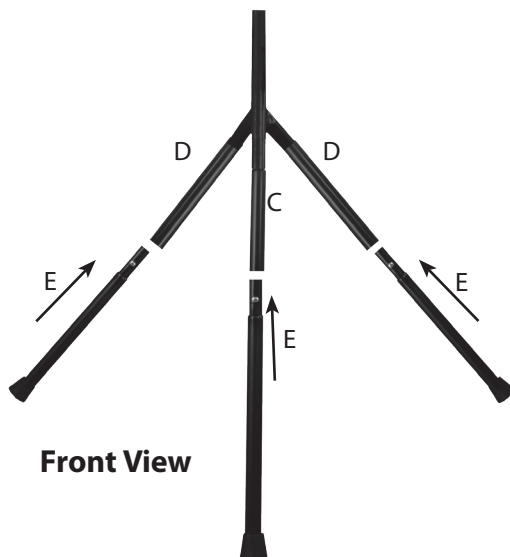


POWERALLEY ASSEMBLY INSTRUCTIONS

STEP 1: Insert Middle Back Legs (D) in to Sections 2 & 3 of Tripod (B1), making sure the push pins (P) lock in place. Then insert Middle Front Leg (C) in to Section 1 of Tripod (B1), also making sure push pins (P) lock in place.

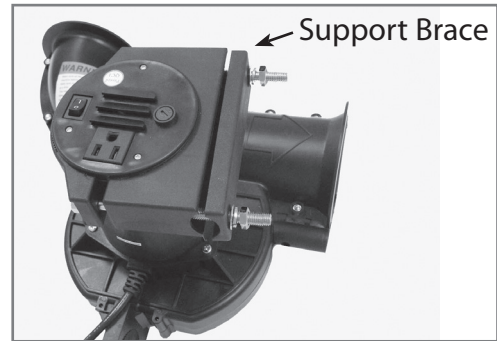
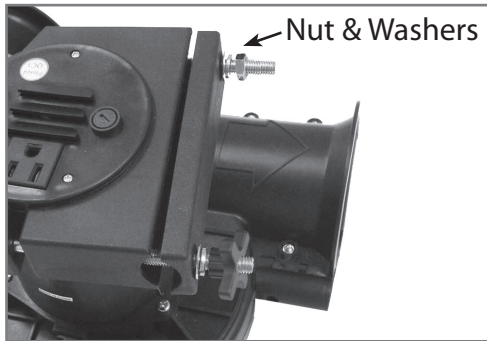


STEP 2: Insert Bottom Leg Assemblies (E) in to Middle Back Legs (D) and Middle Front Leg (C)

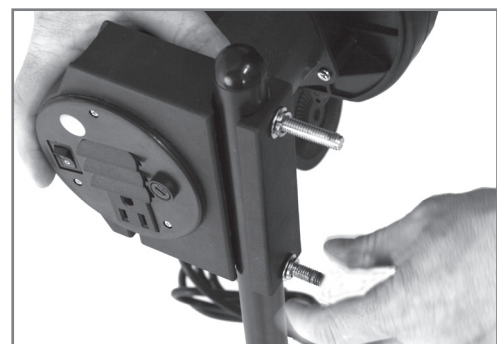


POWERALLEY ASSEMBLY (Continued)

STEP 3: Remove Nut, Thumb Knob & Washers from Clamp assembly on Housing. Slide the support brace off of the clamp bolts.



STEP 4: Insert the Clamp Bolts through the holes located near the top of the Tripod (B) and place the washer, lock washer and nut back on the top bolt & the washer, lock washer and thumb knob on the bottom bolt (in that order).



Heater[™] PowerAlley

OPERATION INSTRUCTIONS

WARNING!

MAKE SURE NO PERSONS ARE IN FRONT OF MACHINE WHILE ADJUSTING THE MACHINE FOR FAST BALLS, POP FLIES, OR GROUNDERS.

CAUTION:

Different types of balls will change the pitch dramatically. Make sure no persons are in front of machine until machine is aimed properly and pitching accurately at desired target.

STEP 1: Before using the PowerAlley pitching machine, use the two Ground Stakes (F) to secure the machine in place,

STEP 2: Plug the PowerAlley into any standard wall outlet and allow the motor to get to full speed then place a lite-ball into the elbow chute.

To adjust the pitch, loosen the thumb knob on the housing clamp until the housing can pivot to the desired position.

Securely tighten the thumb knob back into place.

STEP 3: To adjust for different ball speeds simply move the PowerAlley closer or further away from the hitter.

STEP 4: To throw pop flies or grounders, loosen the thumb knob on the clamp support until the housing can rotate to the desired position.

Securely tighten the thumb knob back into place.

